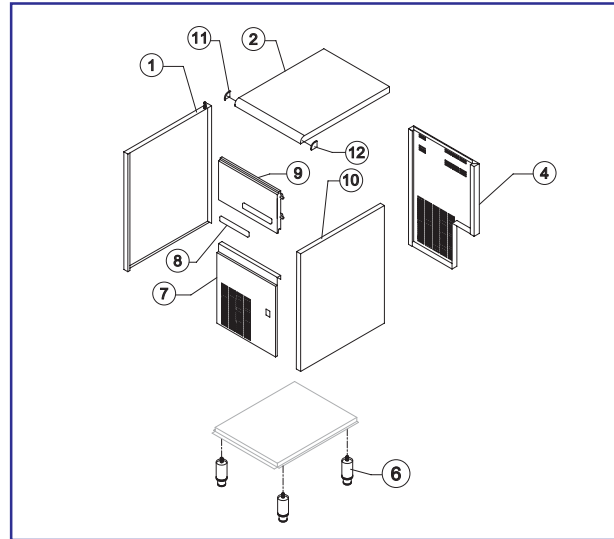


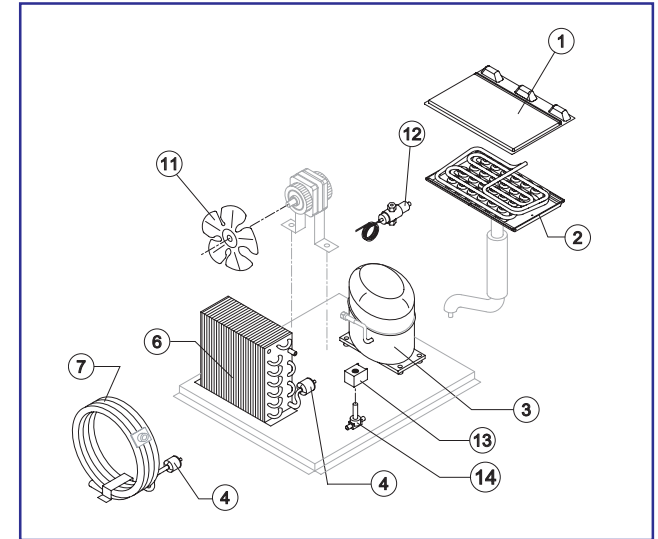


## LIST OF THE EXPLODED VIEWS

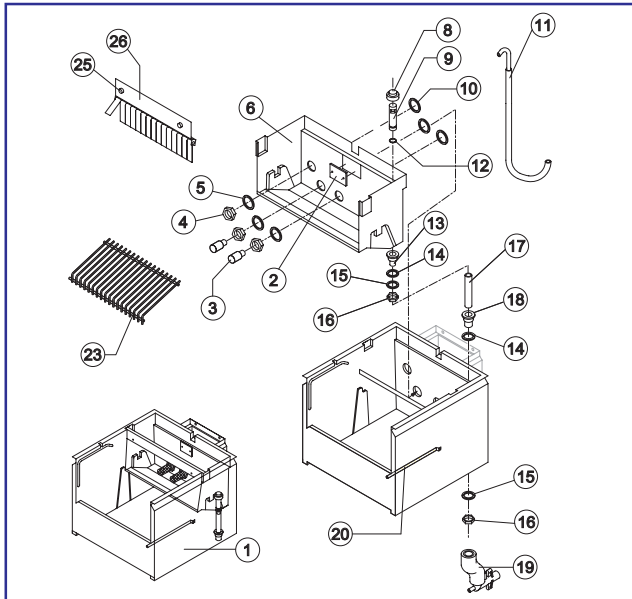
**SHELL ASSY**



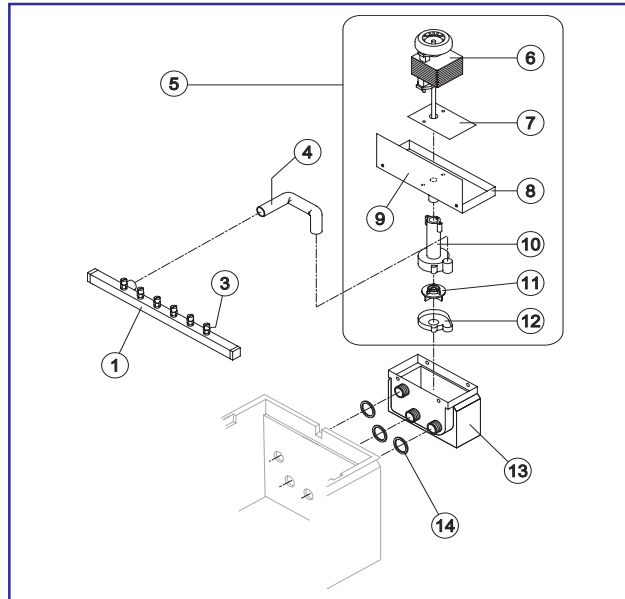
**COOLING SYSTEM**



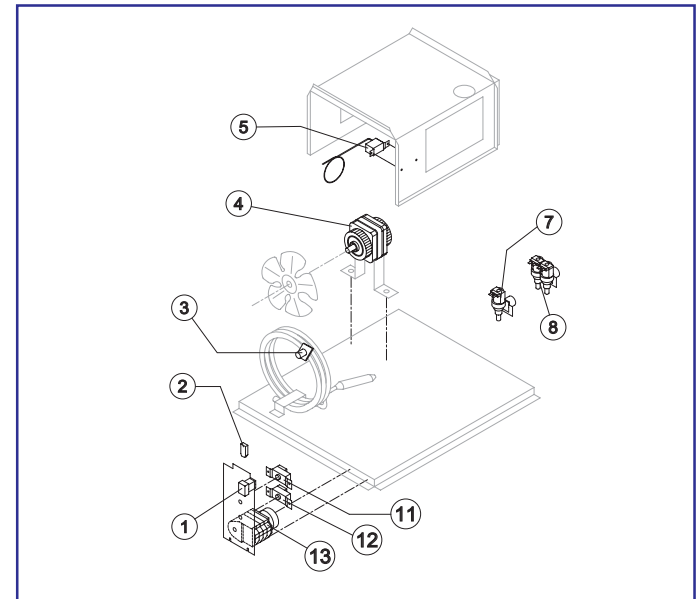
**HYDRAULIC CIRCUIT**



**SPRAYER PUMP**

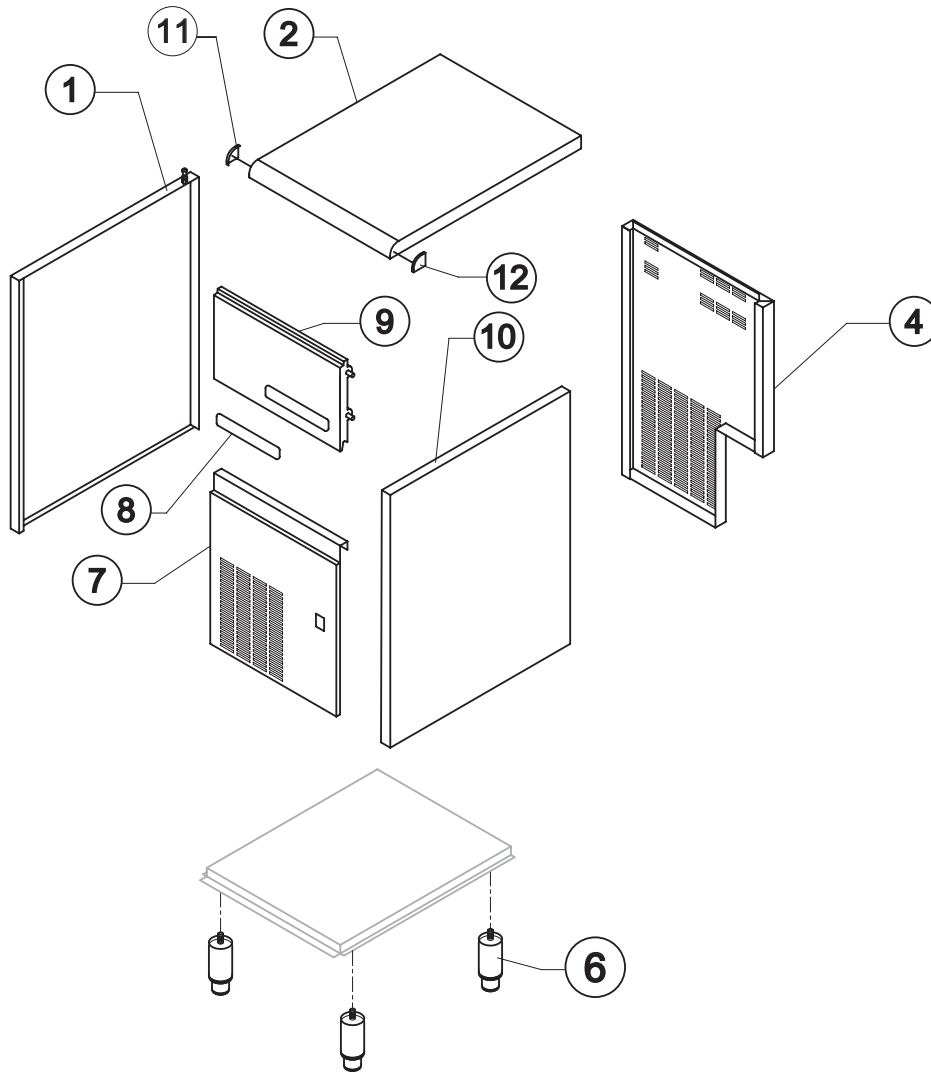


**ELECTRIC PARTS**

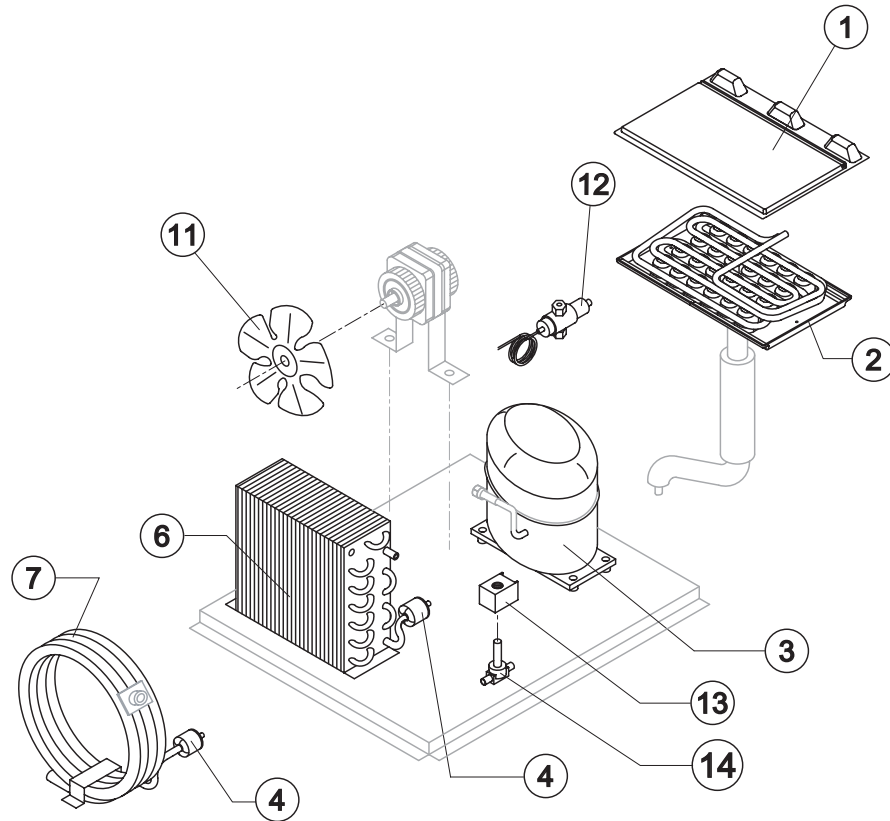


# SHELL ASSY

Rev. 11 - 12/03/2019



Ref.	Spare Description	Code
1	Left Side Panel Assembly	C22761
2	Top Assembly	C22771GR
4	Grey Rear Panel	21254
6	Foot Adjustable	20613
7	Front Panel	22715
8	Resinate Logo	241330
9	Door Assembly	C10362
10	Right Side Panel Assembly	C22760
11	Left Top Protection	10323GR
12	Right Top Protection	10324GR



# COOLING SYSTEM

## Common Parts

Ref.	Spare Description	Code
1	Evaporator Cover Panel from s/n. 357550	10514
2	Evaporator Assy	See Table
3	Compressor	See Table
4*	Molecular Drier	14089
13*	Hot Gas Valve Coil	See Table
14*	Hot Gas Valve Body	20410

## Parts for Air-Cooled Version Only

Ref.	Spare Description	Code
6	Air Condenser	20558
11	Sucking Fan	20031

## Parts for Water-Cooled Version Only

Ref.	Spare Description	Code
7	Water Condenser	14374
11	Sucking Fan	10213

### Ref. 2 - Evaporator

Kind of Cube	Code
17 g. (Standard)	D10047
32 g.	D10090
14 g.	D10418
41 g.	D10480

### Ref. 3 - Compressor

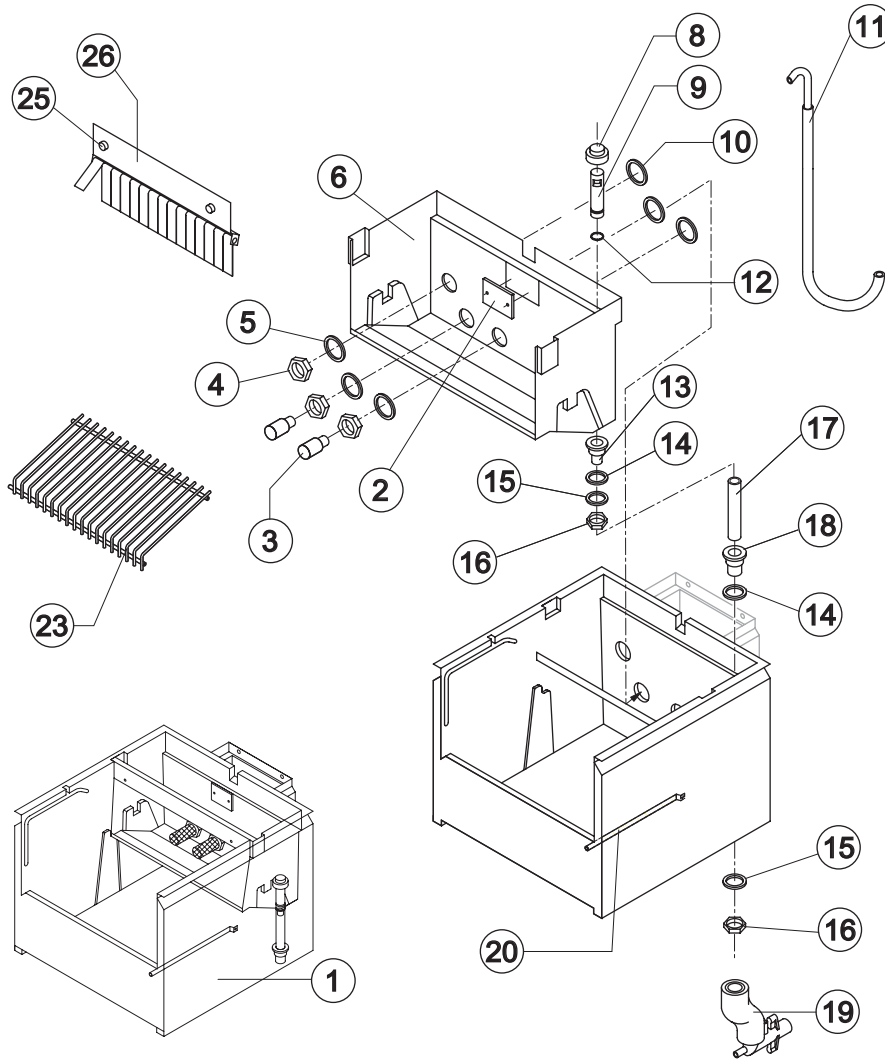
Tension	Code
220/240V 50 Hz	23505A
220/230V 60 Hz	23578A
110/115V 60 Hz	231211

### Ref. 13\* - Hot Gas Valve Coil

Tension	Code
220/240V 50 Hz	23091
220/230V 60 Hz	23091
110/115V 60 Hz	23256

# HYDRAULIC CIRCUIT

Rev. 11 - 12/03/2019



## Common Parts

Ref.	Spare Description	Code
1	Complete Basin Assembly	C28211
2	Slide Keep Plate	Till s/n. 227791 10009
3*	Pump Suction Filter	20005
4	Nut for Basin Connections	10159
5	Polyethylene Seal for Pump Basin	13070
6	Inner Basin	10437
8*	Overflow Cap	10305
9*	Overflow Pipe	10133
10	Silicone Seal for Pump Basin	13069
11*	Water Supply Pipe to the Evaporator	C13125
12*	OR Gasket for Overflow Pipe	20233
13*	Overflow Pipe Nipple	10471
14	Silicone Gasket	13219
15	Semirigid Polyethylene Gasket	13007
16	Bin Discharge Nut	10096
17	Overflow Pipe	13109
18	Water Outlet Nipple	10472
20	Bulbe-holder Pipe	Current Version 20521
20	Bulbe-holder Pipe	Till s/n. 259685 20520
23	Ice Cubes Slide	See Table
25	Special Screw Inox	20009
26	Flags Support Assy	K10775

## Parts for Air-Cooled Version Only

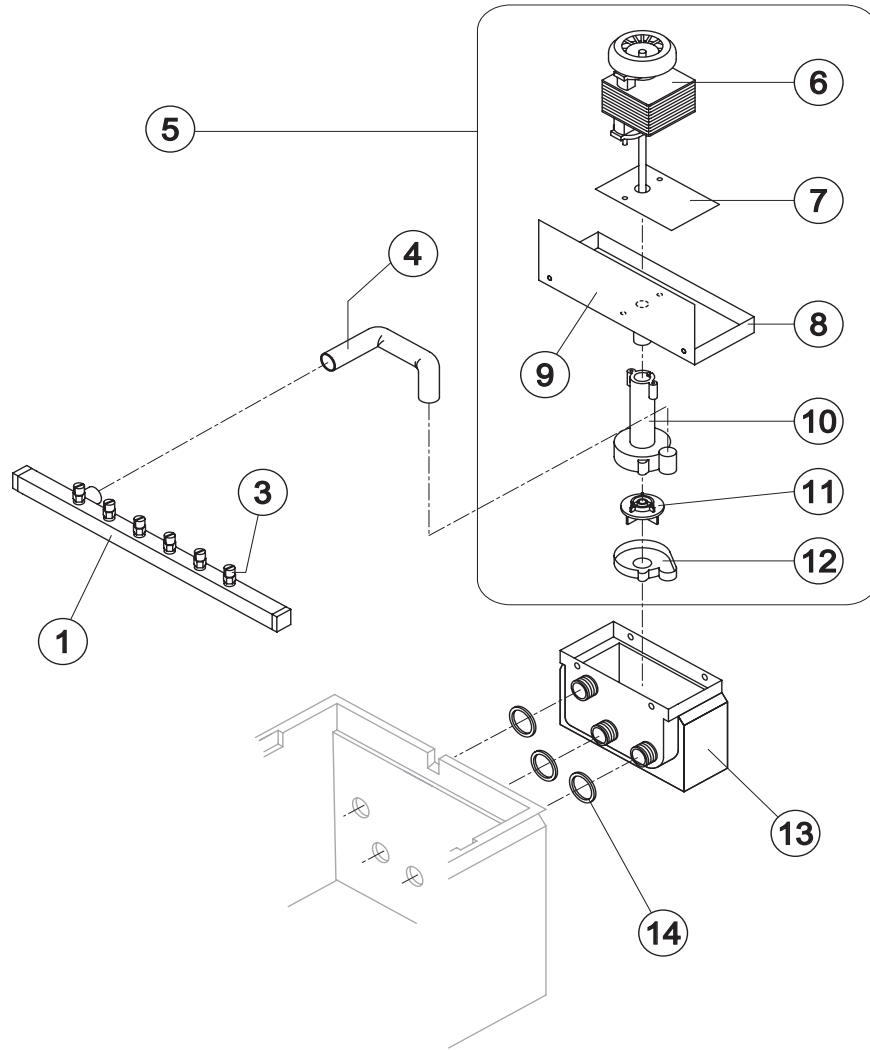
Ref.	Spare Description	Code
17	Discharges Manifold	C10366

## Parts for Water-Cooled Version Only

Ref.	Spare Description	Code
17	Discharges Manifold	C10367

## Ref. 23 - Ice Cubes Slide

Kind of Cube	Code
17 g. (Standard)	D12017
32 g.	D12031
14 g.	D12039
41 g.	D12071



# SPRAYER PUMP

Ref.	Spare Description	Code
1*	Sprayers Bar Assembly	See Table
3	Sprayer	D20002
4	Pump Delivery Pipe	13068
5*	Pump Assembly	See Table
6	Pump Motor	See Table
7	Heat Dissipator	22430
8	Pump Motor Holder	10161
9	Basin/Pump Fender Case	22763
10	Pump Body	10065
11	Pump Impeller	10066
12	Diffusor	10067
13	Insulated Pump Basin	C11048
14	Silicone Seal for Pump Basin	13069

## Ref. 1\* - Sprayers Bar Assembly

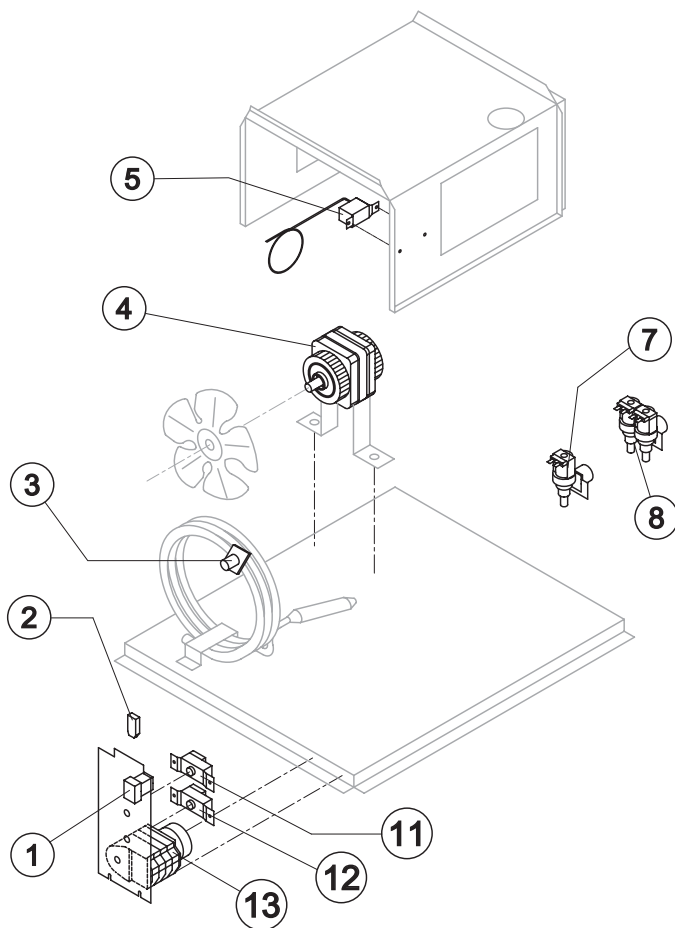
Kind of Cube	Code
17 g. (Standard)	C20575
32 g.	C20583
14 g.	C20578
41 g.	C20804

## Ref. 5\* - Pump Assembly

Tension	Code
220/240V 50 Hz	RC23608
220/230V 60 Hz	RC23612
110/115V 60 Hz	C23610

## Ref. 6 - Pump Motor

Tension	Code
220/240V 50 Hz	23600
220/230V 60 Hz	23601
110/115V 60 Hz	23602



# ELECTRIC PARTS

## Common Parts

Ref.	Spare Description	Code
1*	Green Light Switch (On-Off)	23327
2	Anti Radio Interference Filter	Only 220V 50 Hz C23458
4*	Fan Motor	See Table
5*	Condenser Pressure Switch	23175
11*	Bin Thermostat	R23005
12*	Evaporator Thermostat	R23591
13*	Timer	See Table

## Parts for Air-Cooled Version Only

Ref.	Spare Description	Code
7*	1 Way- Water Inlet Valve	See Table

## Parts for Water-Cooled Version Only

Ref.	Spare Description	Code
3*	Safety Thermostat	C23114
8*	2 Ways- Water Inlet Valve	See Table

### Ref. 4\* - Fan Motor

Tension	Air	Water
220/240V 50 Hz	23067	23029
220/230V 60 Hz	23681	23029
110/115V 60 Hz	23621	23683

### Rif. 7\* - 1 Way- Water Inlet Valve

Tension	17g/14g Cube	32g Cube	41g Cube
220/240V 50 Hz	23001	23001	23220
220/230V 60 Hz	23001	23220	23220
110/115V 60 Hz	23260	23281	23281

### Rif. 8\* - 2 Ways- Water Inlet Valve

Tension	17g/14g Cube	32g Cube	41g Cube
220/240V 50 Hz	23010	23010	23781
220/230V 60 Hz	23010	23781	23781
110/115V 60 Hz	23261	23758	23758

### Rif. 13\* - Timer

Tension	17 g Cube	32 g Cube	14 g Cube	41 g Cube
220/240V 50 Hz	23222	23248	23247	23780
220/230V 60 Hz	231078	231080	231077	231080
110/115V 60 Hz	23259	23786	23258	23786